

1 PLAN SECTION @ LOWERS

2 PLAN SECTION @ UPERS

**NOTE TO APPROVER:**

- EXPOSED MATERIAL IS PAINT GRADE
- INTERIOR MATERIAL IS CL.R. FIN. MAPLE PLY
- HINGES ARE EURO STYLE

DATE: 1.08.08  
 DRAWN BY: IS  
 SCALE: 1/2" = 1'-0"

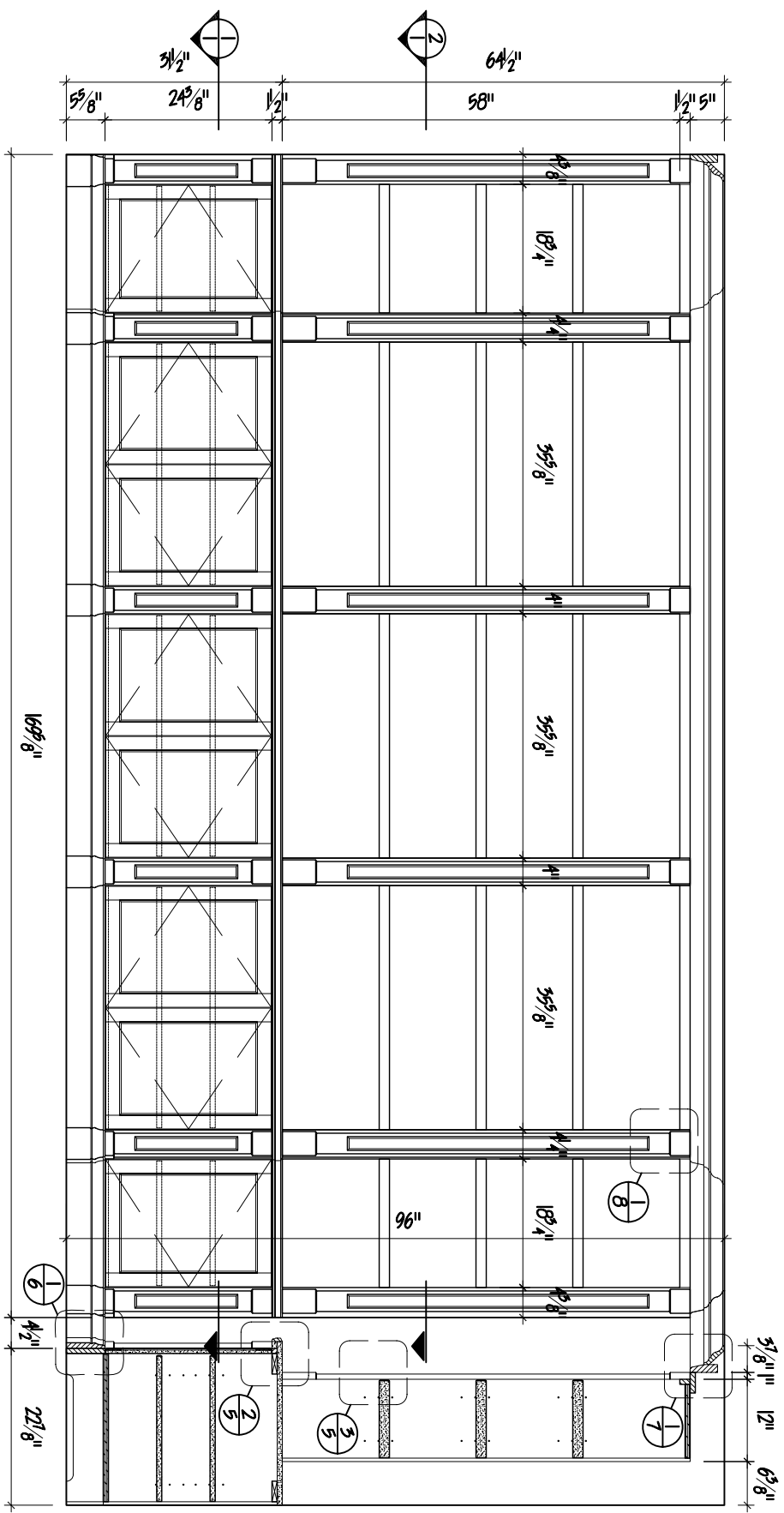
BOOK SHELVES  
 PLAN SECTIONS

**SIMPKINS  
 CALIFORNIA**

*Chadrettan*  
 Handcrafted Architectural Woodwork and Custom Interiors  
 p 831.475.4269 f 831.475.6969  
 chadrettan.com

REVISIONS:	
R1	
R2	
R3	
R4	

1.0



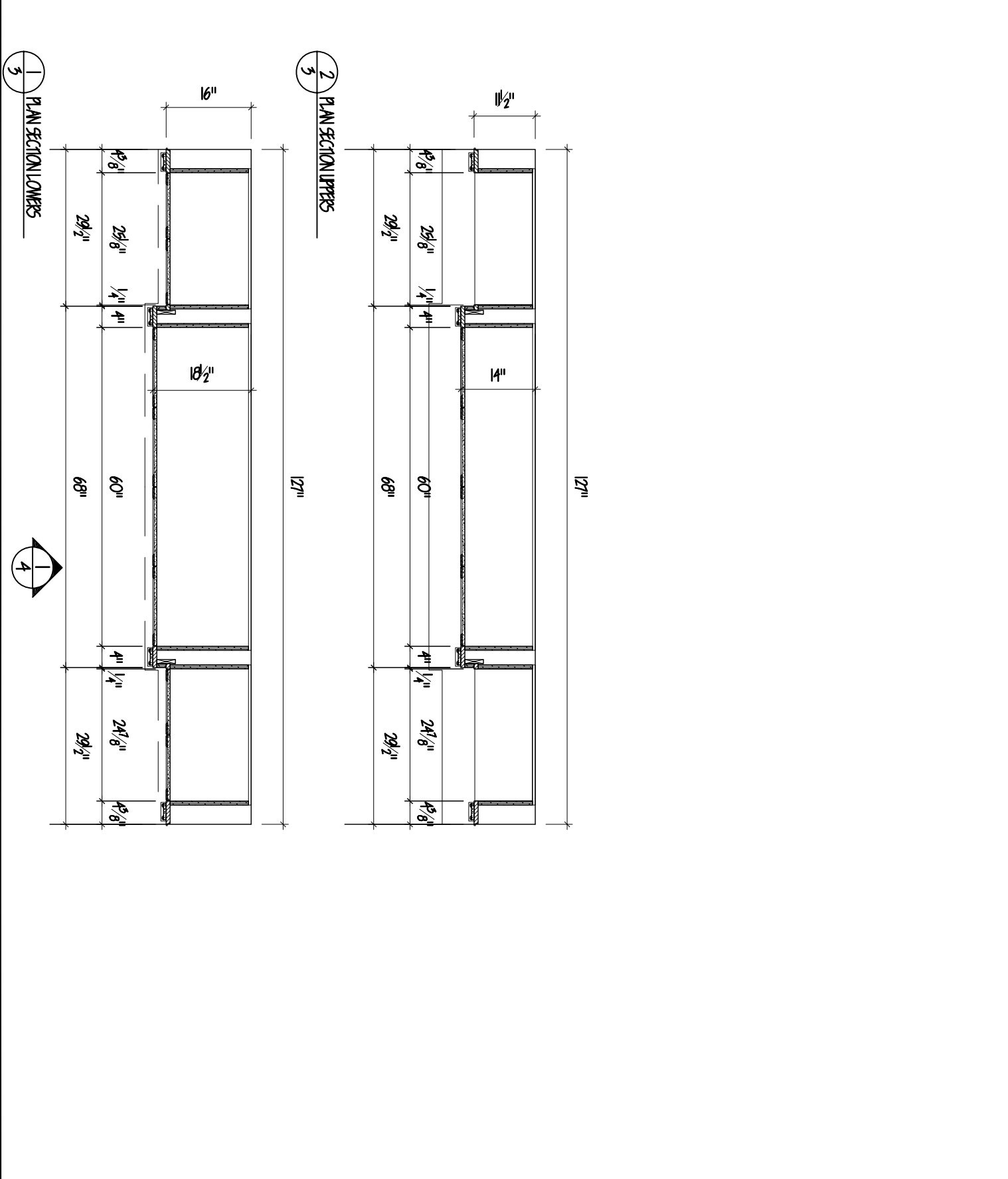
1  
2  
ELEVATION

BOOK SHELVES  
ELEVATION  
SECTION  
DATE: 1.08.08  
DRAWN BY: IS  
SCALE: 1/2" = 1'-0"

# SIMPKINS CALIFORNIA

*Chadretan*  
Handcrafted Architectural Woodwork and Custom Interiors  
p 851.475.4269 f 851.475.6969  
chadretan.com

REVISIONS:	
R1	
R2	
R3	
R4	



ENTER CENTER  
 PLAN SECTION  
 DATE: 1.08.08  
 DRAWN BY: IS  
 SCALE: 1/2" = 1'-0"

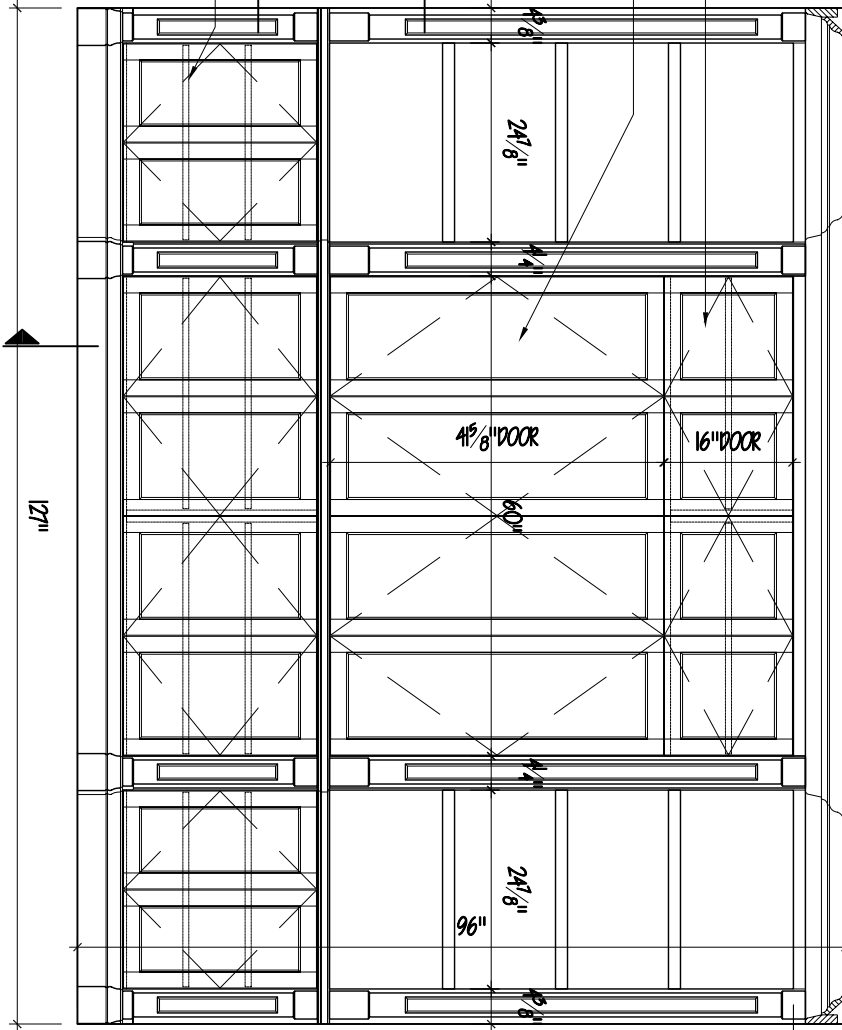
# SIMPKINS CALIFORNIA

*Chadrettan*  
 Handcrafted Architectural Woodwork and Custom Interiors  
 p 851.475.4269 f 851.475.6969  
 chadrettan.com

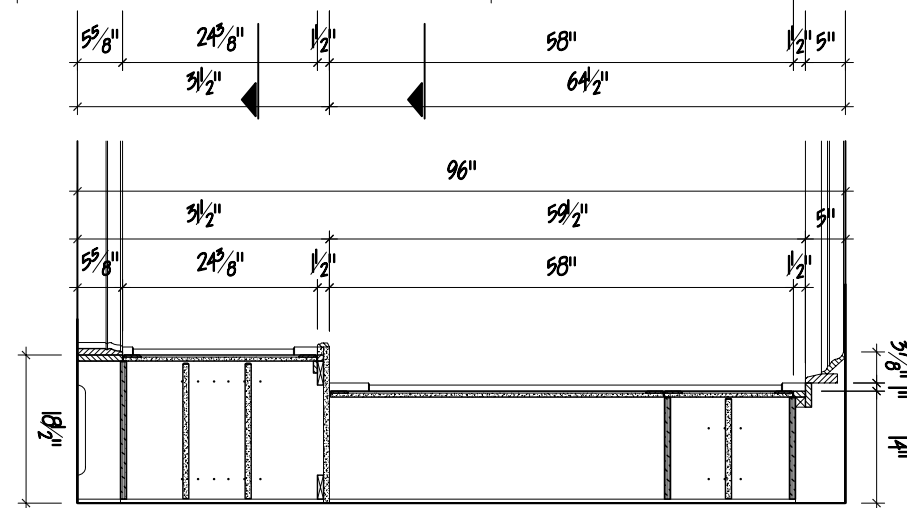
REVISIONS:	
R1	
R2	
R3	
R4	

3.0

1  
4  
ELEVATION



2  
4  
SECTION



ENTER CENTER  
ELEVATION

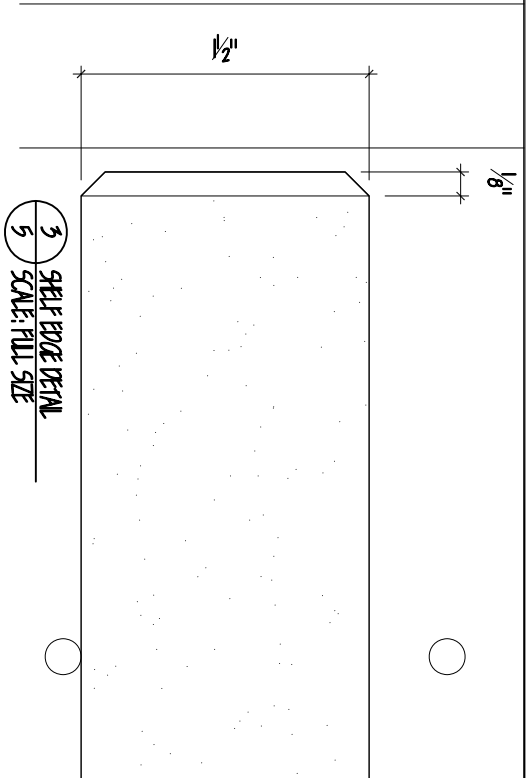
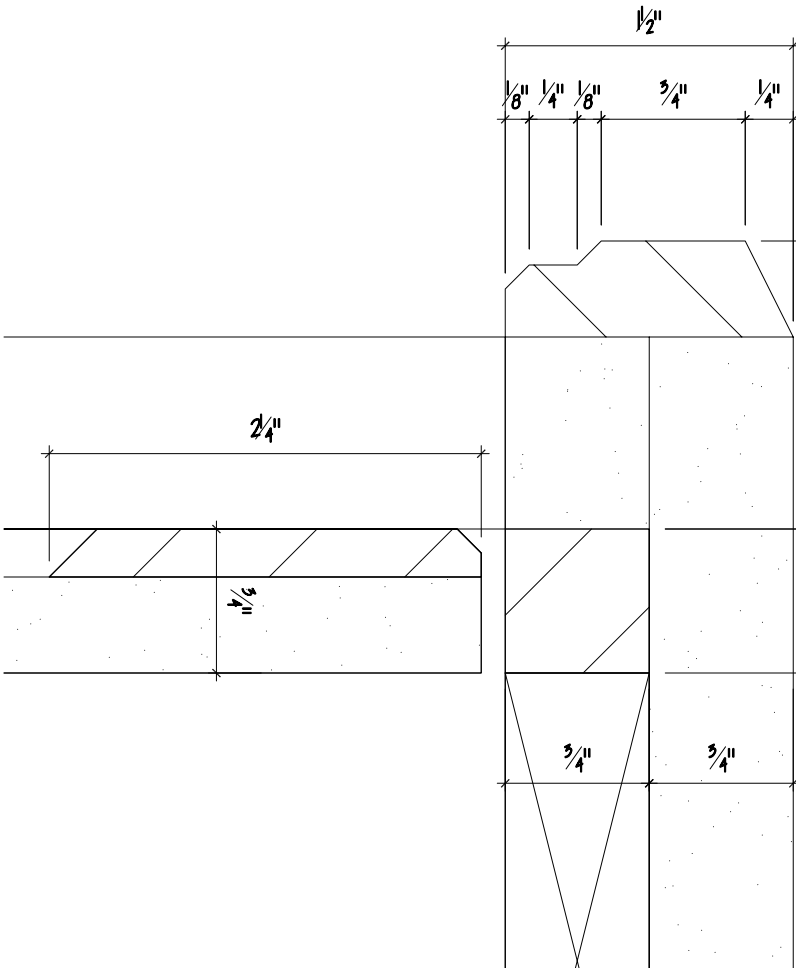
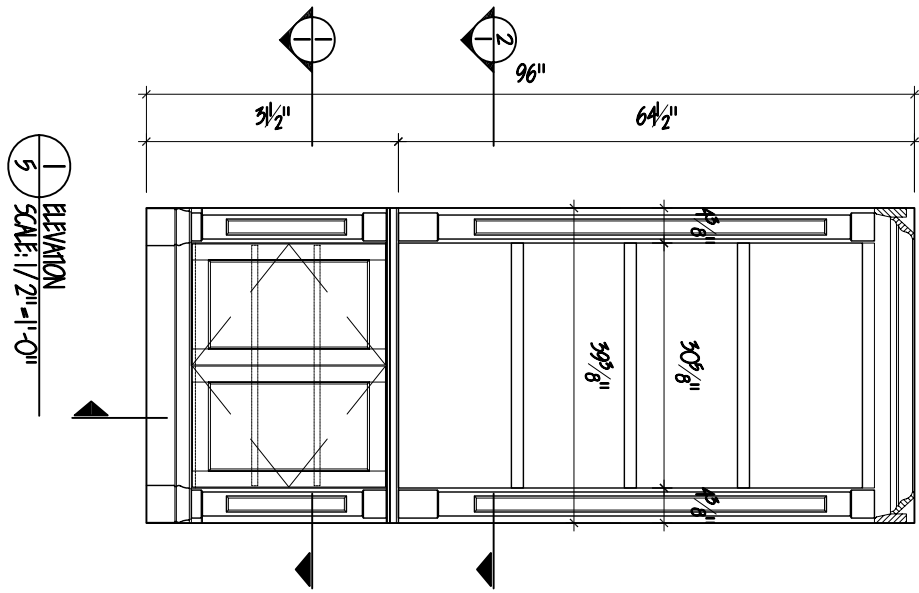
# SIMPKINS CALIFORNIA

*Chadrettan*  
Handcrafted Architectural Woodwork and Custom Interiors  
p 851.475.4269 f 851.475.6969  
chadrettan.com

REVISIONS:	R1	R2	R3	R4

DATE: 1.08.08  
DRAWN BY: IS  
SCALE: 1/2" = 1'-0"

4.0



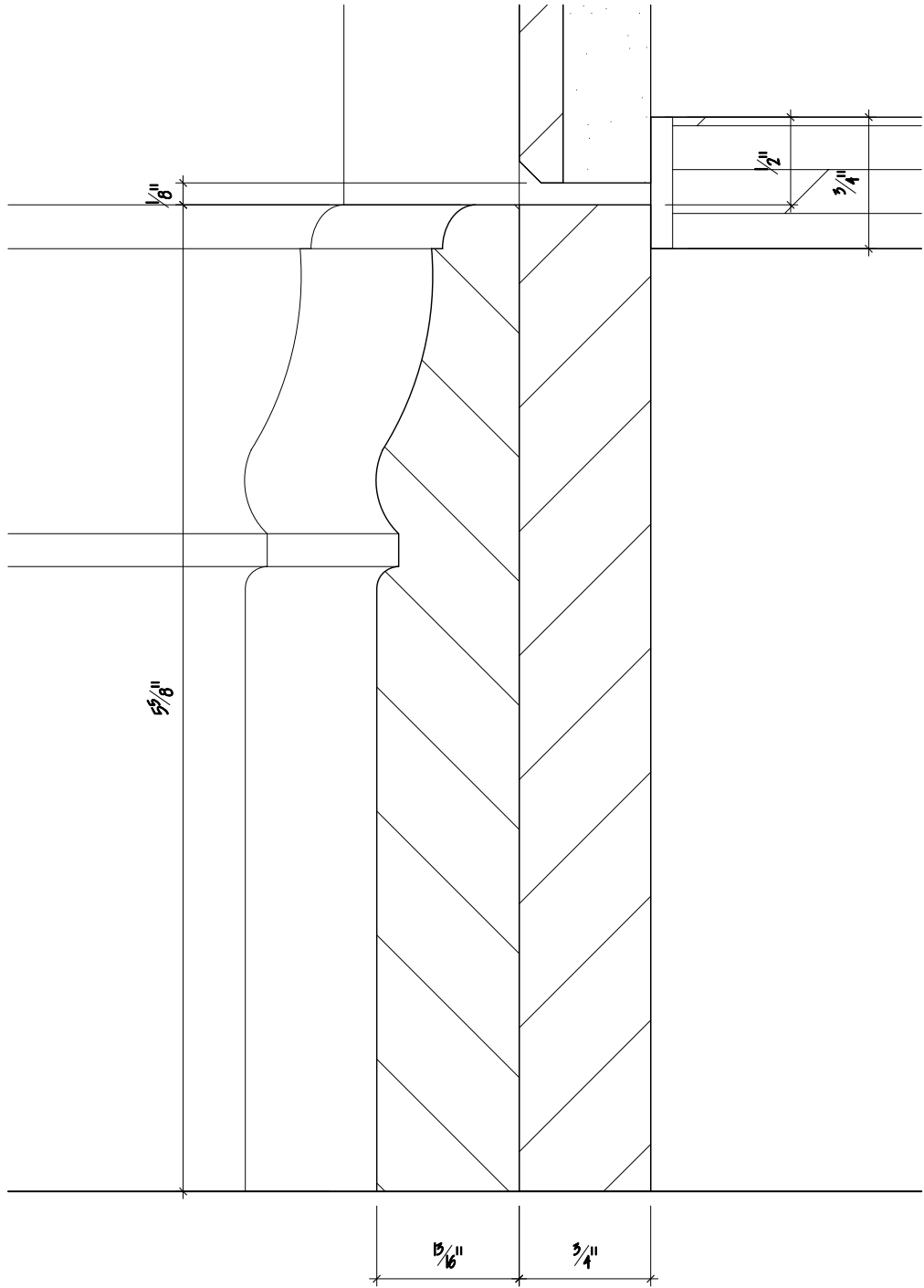
2 COUNTER EDGE DETAIL  
SCALE: FULL SIZE

BOOK SHELF  
ELEVATION  
DETAIL 5  
DATE: 1.08.08  
DRAWN BY: IS  
SCALE: AS NOTED

SIMPKINS  
CALIFORNIA

*Chadrettan*  
Handcrafted Architectural Woodwork and Custom Interiors  
p 891.475.4269 f 891.475.6969  
chadrettan.com

REV	REVISIONS:
R1	
R2	
R3	
R4	



1 BASE DETAIL  
6 SCALE: FULL SIZE

DETAILS

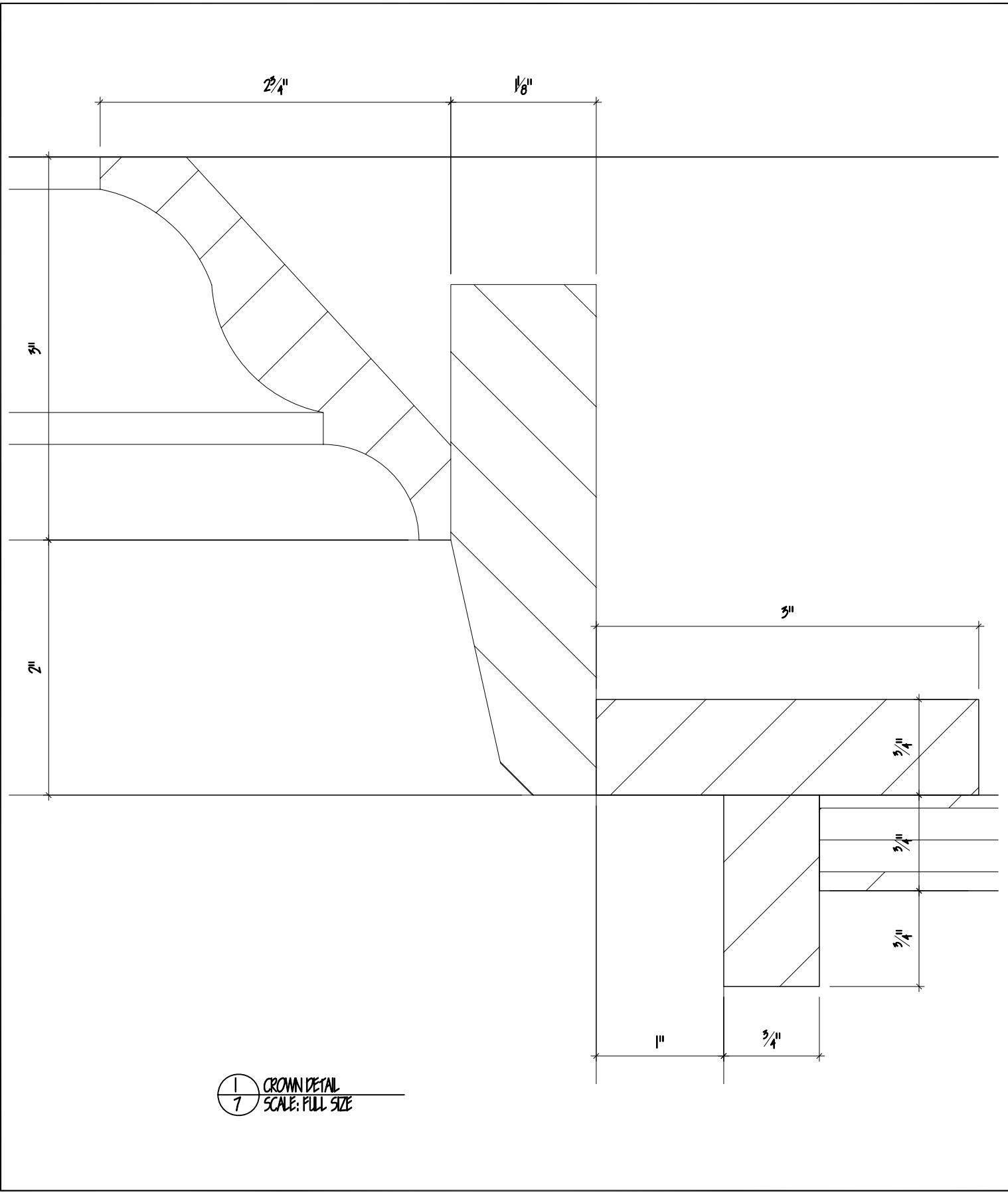
SIMPKINS  
CALIFORNIA

*Chadretan*  
Handcrafted Architectural Woodwork and Custom Interiors  
p 851.475.4269 f 851.475.6969  
chadretan.com

REVISIONS:	R1	R2	R3	R4

DATE: 1.08.08  
DRAWN BY: LS  
SCALE: AS NOTED

6.0



①  
7 CROWN DETAIL  
SCALE: FULL SIZE

DATE: 1.08.08  
 DRAWN BY: IS  
 SCALE: AS NOTED  
 7.0

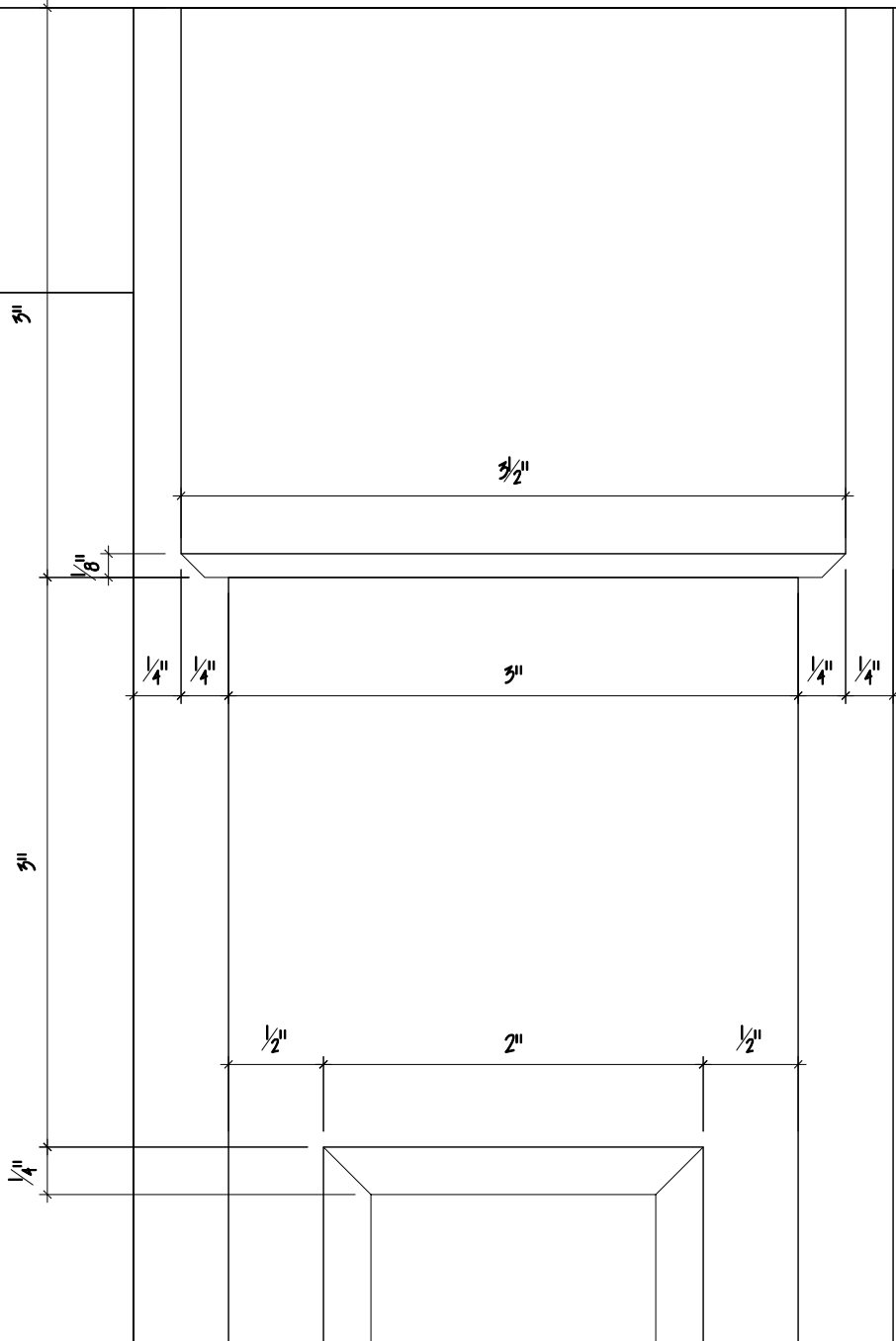
DETAILS

# SIMPKINS

## CALIFORNIA

*Chadretan*  
 Handcrafted Architectural Woodwork and Custom Interiors  
 p 851.475.4269 f 851.475.6969  
 chadretan.com

REVISIONS:	R1	R2	R3	R4



1 UPPER COLUMN DETAIL  
8 SCALE: FULL SIZE

DETAILS

SIMPKINS  
CALIFORNIA

*Chadretian*  
Handcrafted Architectural Woodwork and Custom Interiors  
p 851.475.4269 f 851.475.6969  
chadretian.com

REVISIONS:	R1	R2	R3	R4

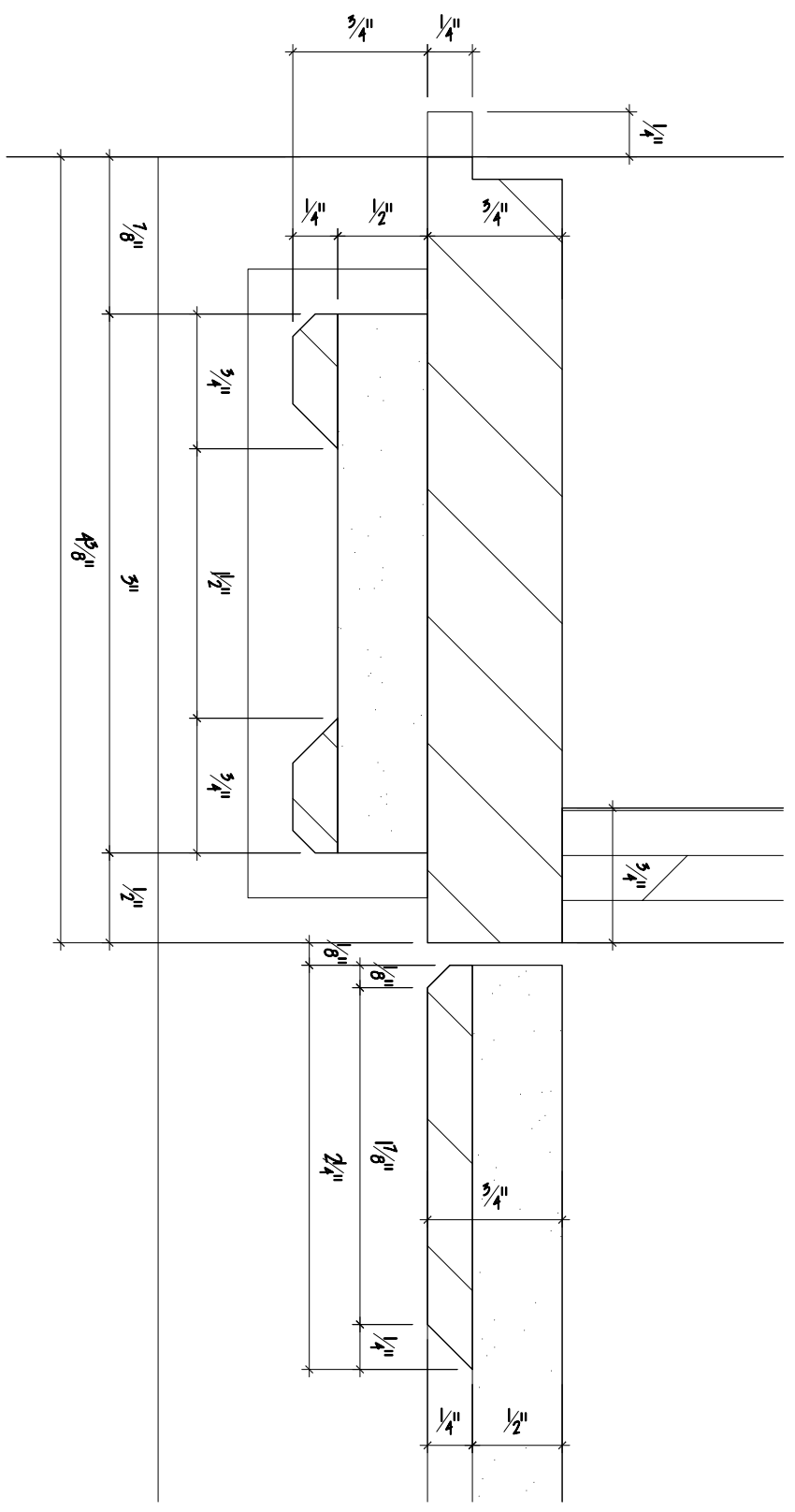
DATE: 1.08.08  
DRAWN BY: LS  
SCALE: AS NOTED

8.0





1 PLAN DETAIL  
10 SCALE: FULL SIZE



DETAILS

# SIMPKINS

## CALIFORNIA

*Chadretan*  
Handcrafted Architectural Woodwork and Custom Interiors  
p 851.475.4269 f 851.475.6969  
chadretan.com

REVISIONS:	
R1	
R2	
R3	
R4	

DATE: 1.08.08  
DRAWN BY: IS  
SCALE: AS NOTED